

八十六學年度 工程與系統學系 (所) 組碩士班研究生入學考試

科目 工程熱力學 科號 4003 共 六 頁第 一 頁 *請在試卷【答案卷】內作答

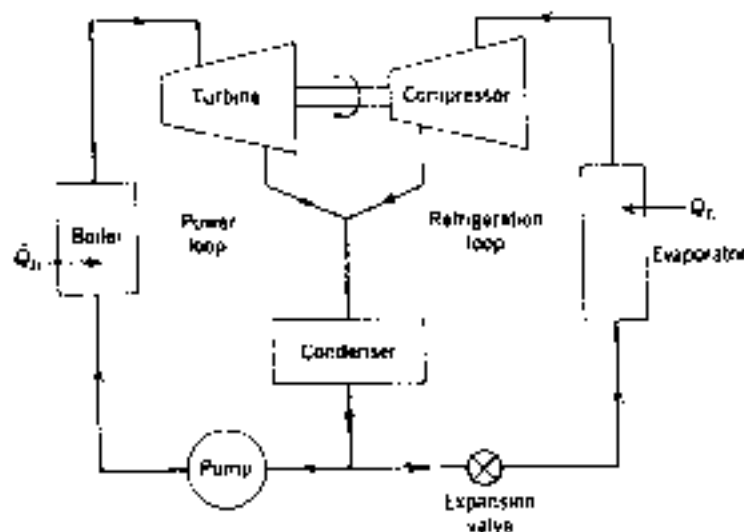
1. (a) Compressed water at 7 MPa and 250 °C enters a heated channel with an average velocity of 1 m/s. The channel is 1 cm in diameter and 1 m in length and uniformly heated with a heat flux of 1 MW/m². Determine the vapor quality at the channel exit. (see Appendix A for a partial steam table). (15%)
 - (b) A cup of hot water at 80 °C cools to ambient temperature, 25 °C. Calculate the net entropy change of the system (water+cup) plus surroundings for this process. Evaporation of water is assumed to be small and can be neglected. The cup is made of glass and its net weight is 200 g. The water weight is 500 g. The specific heats for the glass and water are 800 and 4200 J/kgK, respectively. The glass is in thermal equilibrium with water at any time. (10%)
 - (c) A mass of 1 kg of air contained in a cylinder at 2 MPa and 1200 K expands in a reversible adiabatic process to 200 kPa. Determine the work done during the process. Assume the air is an ideal gas and with constant specific heats. The gas constant and specific heat ratio for air is 0.287 and 1.4, respectively. (10%)
2. The rate of heat transfer to the surroundings from a person at rest is q J/s. An auditorium contains N people and there is an air conditioning system to maintain a constant temperature, T_0 .
 - (a) If the coefficient of performance of the air conditioning system is β , obtain an expression for the heat rejected by the system. (5%)
 - (b) If the heat rejected is used to produce warm water in a nearly barbershop, please determine the water flow rate if the temperature rise for the water is ΔT . The water specific heat is C . (10%)
 - (c) Suppose the air conditioning system fails, determine the averaged air temperature in the auditorium as a function of time. Assume the air mass in the auditorium is M and the constant volume specific heat for the air is C_v . (10%)

八十六學年度工程與系統科學系(院) 組碩士班研究生入學考試

科目 工程熱力學 科號 4003 共六頁第二頁 *請在試卷【答案卷】內作答

3. It is proposed to build a 1000-MW electric power plant with steam as the working fluid. The condensers are to be cooled with sea water. The maximum steam temperature will be 550°C , and the pressure in the condensers will be 10 kPa.
- (a) As an engineering consultant, you are asked to estimate the minimum sea water flow rate if the temperature rise of sea water is limited to 10°C . The saturation steam temperature corresponding to 10 kPa is 46°C . The specific heat of sea water is 4200 J/kgK . (10%)
- (b) If the temperature rise is to be decreased to 8°C to reduce environmental impact, what kind of modification on the cooling system, other than increasing the sea water flow rate, would you suggest? (5%)
4. Consider an ideal dual-loop heat-powered refrigeration cycle using R-12 as the working fluid, as shown in the following. Saturated vapor at 105°C leaves the boiler and expands in the turbine to the condenser pressure. Saturated vapor at -15°C leaves the evaporator and is compressed to the condenser pressure. The ratio of flows through the two loops is such that the turbine produces just enough power to drive the compressor. The two exiting streams mix together and enter the condenser. Saturated liquid leaving the condenser at 45°C is then separated into two streams in the necessary proportions. Determine
- (a) The ratio of mass flow rate through the power loop to that through the refrigeration loop. (10%)
- (b) The performance of the cycle, in terms of the ratio \dot{Q}_L / \dot{Q}_H (10%)
- (c) R-12 is harmful to the environment. What kind of substitute do you suggest? (5%)

(See Appendix B for properties)



八十六學年度 工程學系(所)

組碩士班研究生入學考試

科目 工程熱力學 科號 4003 共 六 頁第 二 頁 *請在試卷【答案卷】內作答

APPENDIX A.

Saturated Steam: Pressure Table (SI Units)

Press. MPa P	Temp. °C T	Specific Volume				Internal Energy				Enthalpy				Entropy	
		Sat. Liquid v_f	Sat. Vapor v_g	Sat. Liquid v_f	Sat. Vapor v_g	Sat. Liquid u_f	Sat. Vapor u_g	Sat. Liquid h_f	Sat. Vapor h_g	Sat. Liquid s_f	Sat. Vapor s_g				
3.5	242.60	0.001235	0.05707	1045.43	1558.3	2603.7	1049.75	1753.7	2803.4	2.7253	3.4000	6.1253			
4	250.40	0.001252	0.04978	1082.31	1520.0	2602.3	1087.31	1714.1	2801.4	2.7964	3.2737	6.0701			
5	263.99	0.001286	0.03944	1147.81	1449.3	2597.1	1154.23	1640.1	2794.3	2.9202	3.0532	5.9734			
6	275.64	0.001319	0.03244	1205.44	1384.3	2589.7	1213.35	1571.0	2784.3	3.0267	2.8625	5.8892			
7	285.88	0.001351	0.02737	1257.55	1323.0	2580.5	1267.00	1505.1	2772.1	3.1211	2.6922	5.8133			
8	295.06	0.001384	0.02352	1305.57	1264.2	2569.8	1316.64	1441.3	2758.0	3.2068	2.5364	5.7432			
9	303.40	0.001418	0.02048	1350.51	1207.3	2557.8	1363.26	1378.9	2742.1	3.2858	2.3915	5.6772			
10	311.06	0.001452	0.018026	1393.04	1151.4	2544.4	1407.56	1317.1	2724.7	3.3596	2.2544	5.6141			
11	318.15	0.001489	0.015987	1433.7	1096.0	2529.8	1450.1	1255.5	2705.6	3.4295	2.1233	5.5527			
12	324.75	0.001527	0.014263	1473.0	1040.7	2513.7	1491.3	1193.6	2684.9	3.4962	1.9962	5.4924			
13	330.93	0.001567	0.012780	1511.1	985.0	2496.1	1531.5	1130.7	2662.2	3.5606	1.8718	5.4323			
14	336.75	0.001611	0.011485	1548.6	928.2	2476.8	1571.1	1066.5	2637.6	3.6232	1.7485	5.3717			
15	342.24	0.001658	0.010337	1585.6	869.8	2455.5	1610.5	1000.0	2610.5	3.6848	1.6249	5.3098			
16	347.44	0.001711	0.009306	1622.7	809.0	2431.7	1650.1	930.6	2580.6	3.7461	1.4994	5.2455			
17	352.27	0.001770	0.008364	1660.2	744.8	2405.0	1690.3	856.9	2547.2	3.8079	1.3698	5.1777			
18	357.05	0.001840	0.007489	1698.9	675.4	2374.3	1732.0	777.1	2509.1	3.8715	1.2329	5.1044			
19	361.54	0.001924	0.006657	1739.9	598.1	2338.1	1776.5	688.0	2464.5	3.9388	1.0839	5.0228			
20	365.81	0.002036	0.005834	1785.6	507.5	2293.0	1826.3	583.4	2409.7	4.0139	0.9130	4.9269			
21	369.89	0.002207	0.004952	1842.1	388.5	2230.6	1888.4	446.2	2334.6	4.1075	0.6938	4.8013			
22	373.80	0.002342	0.003568	1961.9	125.2	2087.1	2022.2	143.4	2165.6	4.3110	0.2216	4.5327			
22.09	374.14	0.003155	0.003155	2029.6	0	2029.6	2099.3	0	2099.3	4.4298	0	4.4298			

八十六學年度工程與系統科學系(所) 組碩士班研究生入學考試

科目 工程熱力學 科號 4003 共六頁第 四 頁 *請在試卷【答案卷】內作答

Appendix B

Thermodynamic Properties of Refrigerant-12 (Dichlorodifluoromethane)

Saturated R-12 (SI Units)

Temp. °C	Abs. Press. MPa P	Specific Volume m ³ /kg			Enthalpy kJ/kg			Entropy kJ/kg K		
		Sat. Liquid v _f	Evap. v _{fg}	Sat. Vapor v _g	Sat. Liquid h _f	Evap. h _{fg}	Sat. Vapor h _g	Sat. Liquid s _f	Evap. s _{fg}	Sat. Vapor s _g
-90	0.0028	0.000 608	4.414 937	4.415 545	-43.243	189.618	146.375	-0.2084	1.0352	0.8268
-85	0.0042	0.000 612	3.016 704	3.037 316	-38.968	187.608	148.640	-0.1854	0.9970	0.8116
-80	0.0062	0.000 617	2.137 728	2.138 345	-34.688	185.612	150.924	-0.1640	0.9649	0.7979
-75	0.0088	0.000 622	1.537 030	1.537 651	-30.401	183.625	153.224	-0.1431	0.9266	0.7855
-70	0.0123	0.000 627	1.126 654	1.127 280	-26.103	181.640	155.536	-0.1197	0.8940	0.7744
-65	0.0168	0.000 632	0.840 534	0.841 166	-21.793	179.651	157.857	-0.0987	0.8630	0.7643
-60	0.0226	0.000 637	0.637 274	0.637 910	-17.469	177.653	160.184	0.0782	0.8334	0.7552
-55	0.0300	0.000 642	0.490 358	0.491 000	-13.129	175.641	162.512	-0.0581	0.8051	0.7470
-50	0.0391	0.000 648	0.382 457	0.383 105	-8.772	173.611	164.840	-0.0384	0.7779	0.7396
-45	0.0504	0.000 654	0.302 029	0.302 682	-4.396	171.558	167.163	-0.0190	0.7519	0.7329
-40	0.0642	0.000 659	0.241 251	0.241 910	0.000	169.479	169.479	-0.0000	0.7269	0.7269
-35	0.0807	0.000 666	0.194 732	0.195 398	4.416	167.368	171.784	0.0187	0.7027	0.7214
-30	0.1004	0.000 672	0.158 703	0.159 375	8.854	165.222	174.076	0.0371	0.6795	0.7165
-25	0.1237	0.000 679	0.130 487	0.131 166	13.315	163.037	176.357	0.0552	0.6570	0.7121
-20	0.1509	0.000 685	0.108 162	0.108 847	17.800	160.810	178.610	0.0730	0.6352	0.7082
-15	0.1826	0.000 693	0.090 326	0.091 018	22.312	158.534	180.846	0.0906	0.6141	0.7046
-10	0.2191	0.000 700	0.075 946	0.076 646	26.851	156.207	183.058	0.1079	0.5936	0.7014
-5	0.2610	0.000 708	0.064 255	0.064 963	31.420	153.823	185.243	0.1250	0.5736	0.6986
0	0.3086	0.000 716	0.054 673	0.055 389	36.022	151.376	187.397	0.1418	0.5542	0.6960
5	0.3626	0.000 724	0.046 761	0.047 485	40.659	148.859	189.518	0.1585	0.5351	0.6937
10	0.4233	0.000 733	0.040 180	0.040 914	45.337	146.265	191.602	0.1750	0.5165	0.6916
15	0.4914	0.000 743	0.034 671	0.035 413	50.058	143.586	193.644	0.1914	0.4983	0.6897
20	0.5673	0.000 752	0.030 028	0.030 780	54.828	140.812	195.641	0.2076	0.4803	0.6879
25	0.6516	0.000 763	0.026 091	0.026 854	59.653	137.933	197.586	0.2237	0.4626	0.6863
30	0.7449	0.000 774	0.022 734	0.023 508	64.539	134.936	199.475	0.2397	0.4451	0.6848
35	0.8477	0.000 786	0.019 855	0.020 641	69.494	131.805	201.299	0.2557	0.4277	0.6834
40	0.9607	0.000 798	0.017 373	0.018 171	74.527	128.525	203.051	0.2716	0.4104	0.6820
45	1.0843	0.000 811	0.015 220	0.016 032	79.647	125.074	204.722	0.2875	0.3931	0.6806
50	1.2193	0.000 826	0.013 344	0.014 170	84.868	121.430	206.298	0.3034	0.3758	0.6792
55	1.3663	0.000 841	0.011 701	0.012 542	90.201	117.565	207.766	0.3194	0.3582	0.6777
60	1.5259	0.000 858	0.010 253	0.011 111	95.665	113.443	209.109	0.3355	0.3405	0.6760
65	1.6988	0.000 877	0.008 971	0.009 847	101.279	109.024	210.303	0.3518	0.3224	0.6742
70	1.8858	0.000 897	0.007 828	0.008 725	107.067	104.255	211.321	0.3683	0.3038	0.6721
75	2.0874	0.000 920	0.006 802	0.007 723	113.058	99.068	212.126	0.3851	0.2845	0.6697
80	2.3046	0.000 946	0.005 875	0.006 821	119.291	93.373	212.665	0.4023	0.2644	0.6667
85	2.5380	0.000 976	0.005 029	0.006 005	125.818	87.047	212.865	0.4201	0.2430	0.6631
90	2.7885	0.001 012	0.004 246	0.005 258	132.708	79.907	212.614	0.4385	0.2200	0.6585
95	3.0569	0.001 056	0.003 508	0.004 563	140.068	71.658	211.726	0.4579	0.1946	0.6526
100	3.3440	0.001 113	0.002 790	0.003 903	148.076	61.768	209.843	0.4788	0.1653	0.6444
105	3.6509	0.001 197	0.002 045	0.003 242	157.085	49.014	206.099	0.5023	0.1296	0.6319
110	3.9784	0.001 364	0.001 098	0.002 462	168.059	28.425	196.484	0.5377	0.0742	0.6064
112	4.1155	0.001 792	0.000 005	0.001 797	174.920	0.351	175.071	0.5651	0.0004	0.5655

Consistent with values presented in "Thermodynamic Properties of Freon-12" E. L. du Pont de Nemours and Company, Inc., 1956

國立清華大學 命題紙

八十六學年度工程與系統科學系(所)

組碩士班研究生入學考試

科目 工程熱力學 科號 4003 共 六 頁第 五 頁 請在試卷(答案卷)內作答

Superheated R-12 (SI Units)

Temp. °C	v m ³ /kg	h kJ/kg	s kJ/kg K	v m ³ /kg	h kJ/kg	s kJ/kg K	v m ³ /kg	h kJ/kg	s kJ/kg K
0.05 MPa									
-20.0	0.341 857	181.042	0.7912	0.167 701	179.861	0.7401			
-10.0	0.356 227	186.757	0.8133	0.175 222	185.707	0.7628			
0.0	0.370 508	192.567	0.8350	0.182 647	191.628	0.7849	0.114 716	184.619	0.7318
10.0	0.384 716	198.471	0.8562	0.189 994	197.628	0.8064	0.119 866	190.660	0.7543
20.0	0.398 863	204.469	0.8770	0.197 277	203.707	0.8275	0.124 937	196.762	0.7763
30.0	0.412 959	210.557	0.8974	0.204 506	209.866	0.8482	0.129 930	202.927	0.7977
40.0	0.427 012	216.733	0.9175	0.211 691	216.104	0.8684	0.134 873	209.160	0.8186
50.0	0.441 030	222.997	0.9372	0.218 839	222.421	0.8883	0.139 768	215.463	0.8390
60.0	0.455 017	229.344	0.9565	0.225 955	228.815	0.9078	0.144 625	221.835	0.8591
70.0	0.468 978	235.774	0.9755	0.233 044	235.285	0.9269	0.149 450	228.277	0.8787
80.0	0.482 917	242.282	0.9942	0.240 111	241.829	0.9457	0.154 247	234.789	0.8980
90.0	0.496 838	248.868	1.0126	0.247 159	248.446	0.9642	0.159 020	241.371	0.9169
							0.163 774	248.020	0.9354
0.10 MPa									
0.0	0.088 608	189.669	0.7320	0.069 752	188.644	0.7139	0.057 150	187.583	0.6984
10.0	0.092 550	195.878	0.7543	0.073 024	194.969	0.7366	0.059 984	194.034	0.7216
20.0	0.096 418	202.135	0.7760	0.076 218	201.322	0.7587	0.062 734	200.490	0.7440
30.0	0.100 228	208.446	0.7972	0.079 350	207.715	0.7801	0.065 418	206.969	0.7658
40.0	0.103 989	214.814	0.8178	0.082 431	214.153	0.8010	0.068 049	213.480	0.7869
50.0	0.107 710	221.243	0.8381	0.085 470	220.642	0.8214	0.070 635	220.030	0.8075
60.0	0.111 397	227.735	0.8578	0.088 474	227.185	0.8413	0.073 185	226.627	0.8276
70.0	0.115 055	234.291	0.8772	0.091 449	233.785	0.8608	0.075 705	233.273	0.8473
80.0	0.118 690	240.910	0.8962	0.094 398	240.443	0.8800	0.078 200	239.971	0.8665
90.0	0.122 304	247.593	0.9149	0.097 321	247.160	0.8987	0.080 673	246.723	0.8853
100.0	0.125 901	254.339	0.9332	0.100 238	253.936	0.9171	0.083 127	253.530	0.9038
110.0	0.129 483	261.147	0.9512	0.103 134	260.770	0.9352	0.085 566	260.391	0.9220
0.20 MPa									
20.0	0.045 876	198.762	0.7199	0.035 646	196.935	0.6999			
30.0	0.047 971	205.428	0.7423	0.037 464	203.814	0.7230	0.030 422	202.116	0.7063
40.0	0.050 046	212.095	0.7639	0.039 214	210.656	0.7452	0.031 966	209.154	0.7291
50.0	0.052 072	218.779	0.7849	0.040 911	217.484	0.7667	0.033 450	216.141	0.7511
60.0	0.054 059	225.488	0.8054	0.042 565	224.315	0.7875	0.034 887	223.104	0.7723
70.0	0.056 014	232.230	0.8253	0.044 184	231.161	0.8077	0.036 285	230.062	0.7929
80.0	0.057 941	239.012	0.8448	0.045 774	238.031	0.8275	0.037 653	237.027	0.8129
90.0	0.059 846	245.837	0.8638	0.047 340	244.932	0.8467	0.038 995	244.009	0.8324
100.0	0.061 731	252.707	0.8825	0.048 886	251.869	0.8656	0.040 316	251.016	0.8514
110.0	0.063 600	259.624	0.9008	0.050 415	258.845	0.8840	0.041 619	258.053	0.8700
120.0	0.065 455	266.590	0.9187	0.051 929	265.862	0.9021	0.042 907	265.174	0.8882
130.0	0.067 298	273.605	0.9364	0.053 430	272.921	0.9198	0.044 181	272.231	0.9061
0.30 MPa									
40.0	0.026 761	207.580	0.7148	0.022 830	205.924	0.7016	0.019 744	204.170	0.6982
50.0	0.028 100	214.745	0.7373	0.024 068	211.790	0.7248	0.020 912	211.765	0.7131
60.0	0.029 387	221.854	0.7590	0.025 247	220.558	0.7469	0.022 012	219.712	0.7358
70.0	0.030 632	228.931	0.7799	0.026 380	227.766	0.7682	0.023 062	226.564	0.7575
80.0	0.031 843	235.997	0.8002	0.027 477	234.941	0.7888	0.024 077	233.856	0.7785
90.0	0.033 027	243.066	0.8199	0.028 545	242.101	0.8088	0.025 051	241.113	0.7987
100.0	0.034 189	250.146	0.8392	0.029 588	249.260	0.8283	0.026 005	248.355	0.8184
110.0	0.035 332	257.247	0.8579	0.030 612	256.428	0.8477	0.026 937	255.593	0.8376
120.0	0.036 458	264.374	0.8763	0.031 619	263.613	0.8657	0.027 851	262.839	0.8562
130.0	0.037 572	271.531	0.8943	0.032 612	270.820	0.8838	0.028 751	270.100	0.8745
140.0	0.038 673	278.720	0.9119	0.033 592	278.055	0.9016	0.029 639	277.381	0.8923
150.0	0.039 764	285.946	0.9292	0.034 563	285.320	0.9189	0.030 515	284.687	0.9098

(Continued)

國立清華大學命題紙

八十六學年度工程學院科學系(所)

組碩士班研究生入學考試

科目 工程熱力學 科號 4003 共六頁第 六 頁 *請在試卷【答案卷】內作答

[Continued] Superheated R-12 (SI Units)

Temp. °C	v m ³ /kg	h kJ/kg	s kJ/kg K	v m ³ /kg	h kJ/kg	s kJ/kg K	v m ³ /kg	h kJ/kg	s kJ/kg K
1.00 MPa			1.20 MPa			1.40 MPa			
50.0	0.018 366	210.162	0.7021	0.014 483	206.661	0.6812			
60.0	0.019 410	217.810	0.7254	0.015 463	214.805	0.7060	0.012 579	211.457	0.6876
70.0	0.020 397	225.319	0.7476	0.016 368	222.637	0.7293	0.013 448	219.372	0.7123
80.0	0.021 341	232.739	0.7689	0.017 221	230.398	0.7514	0.014 247	227.891	0.7355
90.0	0.022 251	240.101	0.7895	0.018 032	237.995	0.7727	0.014 997	235.766	0.7575
100.0	0.023 133	247.430	0.8094	0.018 812	245.518	0.7931	0.015 710	243.512	0.7785
110.0	0.023 993	254.743	0.8287	0.019 567	252.993	0.8129	0.016 393	251.170	0.7988
120.0	0.024 835	262.053	0.8475	0.020 301	260.441	0.8320	0.017 053	258.770	0.8183
130.0	0.025 661	269.369	0.8659	0.021 018	267.875	0.8507	0.017 695	266.334	0.8373
140.0	0.026 474	276.699	0.8839	0.021 721	275.307	0.8689	0.018 321	273.877	0.8558
150.0	0.027 275	284.047	0.9015	0.022 412	282.745	0.8867	0.018 934	281.411	0.8738
160.0	0.028 068	291.419	0.9187	0.023 093	290.195	0.9041	0.019 535	288.946	0.8914
1.60 MPa			1.80 MPa			2.00 MPa			
70.0	0.011 208	216.650	0.6959	0.009 406	213.049	0.6794			
80.0	0.011 984	225.177	0.7204	0.010 187	222.198	0.7057	0.008 704	218.859	0.6909
90.0	0.012 698	233.390	0.7433	0.010 884	230.835	0.7298	0.009 406	228.056	0.7166
100.0	0.013 366	241.397	0.7651	0.011 526	239.155	0.7524	0.010 035	236.760	0.7402
110.0	0.014 000	249.264	0.7859	0.012 126	247.264	0.7739	0.010 615	245.154	0.7624
120.0	0.014 608	257.035	0.8059	0.012 697	255.228	0.7944	0.011 159	253.341	0.7835
130.0	0.015 195	264.742	0.8253	0.013 244	263.094	0.8141	0.011 676	261.384	0.8037
140.0	0.015 765	272.406	0.8440	0.013 772	270.891	0.8332	0.012 172	269.327	0.8232
150.0	0.016 320	280.044	0.8623	0.014 284	278.642	0.8518	0.012 651	277.201	0.8420
160.0	0.016 864	287.669	0.8801	0.014 784	286.364	0.8698	0.013 116	285.027	0.8603
170.0	0.017 398	295.290	0.8975	0.015 272	294.069	0.8874	0.013 570	292.822	0.8781
180.0	0.017 923	302.914	0.9145	0.015 752	301.767	0.9046	0.014 013	300.598	0.8955
2.50 MPa			3.00 MPa			3.50 MPa			
90.0	0.006 595	219.562	0.6823						
100.0	0.007 264	229.852	0.7103	0.005 231	220.529	0.6770			
110.0	0.007 837	239.271	0.7352	0.005 886	232.063	0.7075	0.004 324	222.121	0.6750
120.0	0.008 351	248.192	0.7582	0.006 419	242.208	0.7336	0.004 959	234.875	0.7078
130.0	0.008 827	256.794	0.7798	0.006 887	251.632	0.7573	0.005 456	245.661	0.7349
140.0	0.009 273	265.180	0.8003	0.007 313	260.620	0.7793	0.005 884	255.524	0.7591
150.0	0.009 697	273.414	0.8200	0.007 709	269.319	0.8001	0.006 270	264.846	0.7814
160.0	0.010 104	281.540	0.8390	0.008 083	277.817	0.8200	0.006 626	273.817	0.8023
170.0	0.010 497	289.589	0.8574	0.008 439	286.171	0.8391	0.006 961	282.541	0.8222
180.0	0.010 879	297.583	0.8752	0.008 782	294.422	0.8575	0.007 279	291.100	0.8413
190.0	0.011 250	305.540	0.8926	0.009 114	302.597	0.8753	0.007 584	299.528	0.8597
200.0	0.011 614	313.472	0.9095	0.009 436	310.718	0.8927	0.007 878	307.864	0.8775
4.00 MPa			4.50 MPa			5.00 MPa			
120.0	0.003 736	224.863	0.6771						
130.0	0.004 325	238.443	0.7111						
140.0	0.004 781	249.703	0.7386						
150.0	0.005 172	259.904	0.7630						
160.0	0.005 522	269.492	0.7854						
170.0	0.005 845	278.684	0.8063						
180.0	0.006 147	287.602	0.8262						
190.0	0.006 434	296.326	0.8453						
200.0	0.006 708	304.906	0.8636						
210.0	0.006 972	313.380	0.8813						
220.0	0.007 228	321.774	0.8985						
230.0	0.007 477	330.108	0.9152						